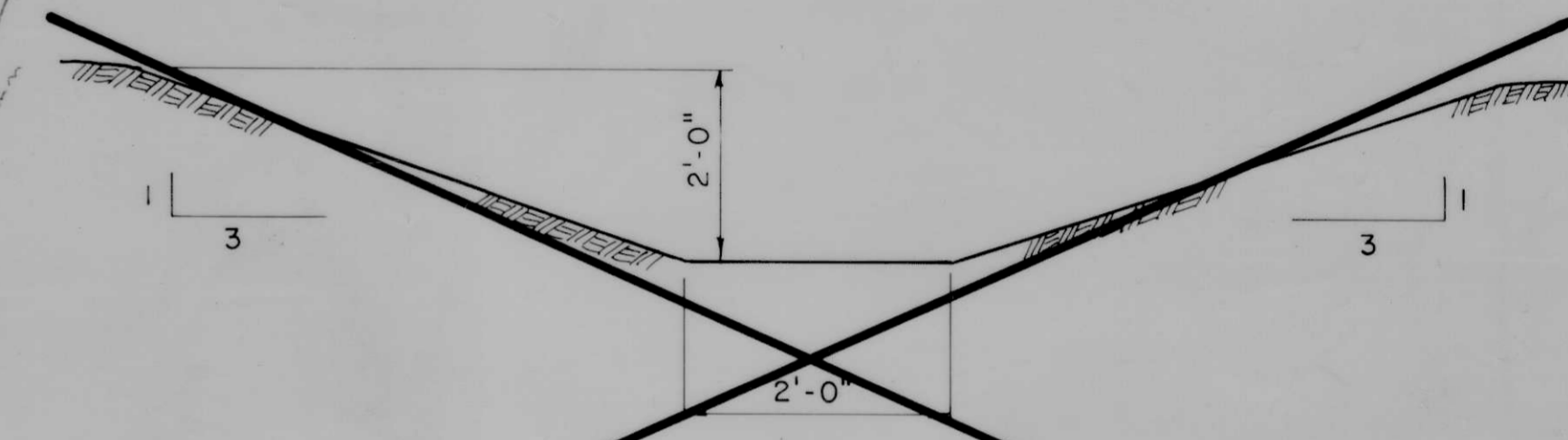


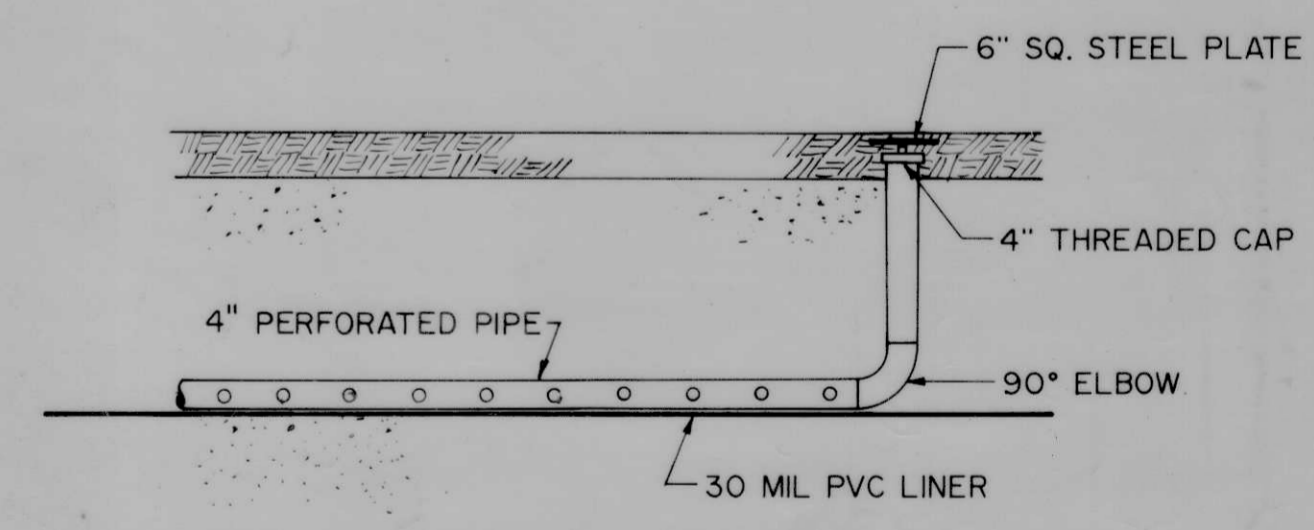
TYPICAL CROSS-SECTION OF DRAINAGE CHANNEL FOR SLOPE GREATER THAN 3%



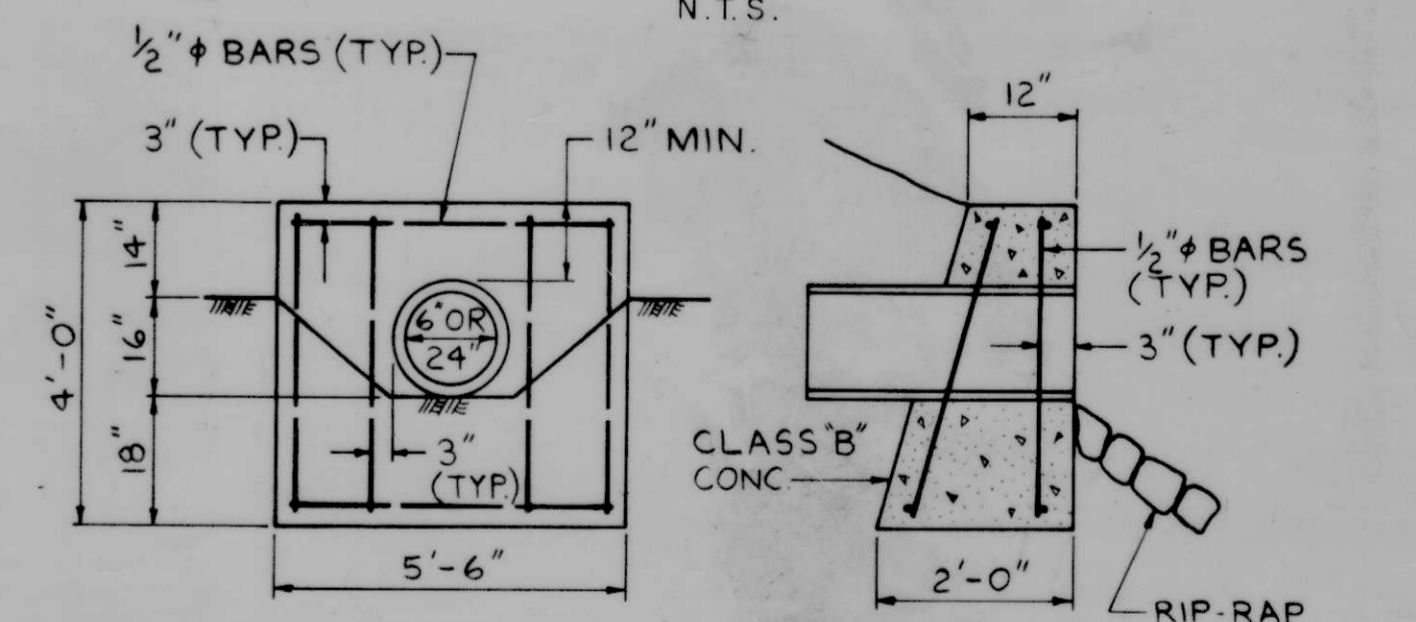
TYPICAL CROSS-SECTION OF DRAINAGE CHANNEL FOR SLOPE LESS THAN 3%

NOT THIS CONTRACT

NOTE:
WHERE WELLS ARE DISTURBED BY FILL PLACEMENT, THE WELL CASINGS WILL BE EXTENDED AS PART OF LUMP SUM PRICE BID ON THE PROJECT.



CLEANOUT DETAIL N.T.S.



ELEVATION

SECTION

HEADWALL DETAIL

NOTE:
SETTLEMENT MONITORING BOUND DISC ELEVATIONS WERE ESTABLISHED ON 10/30/86

NO.	DATE	APPR.	REVISION
1	9-85		ADDED MONITORING WELLS & NOTE
2	9-85		ADDED RIP RAP, HEAD WALL, DETAILS

LANDFILL CLOSURE
TOWN OF DERRY
DERRY NEW HAMPSHIRE

WESTON
DESIGNERS CONSULTANTS NEW HAMPSHIRE

CHECKED	DATE	CLIENT APPROVALS	DATE
DES. ENG.			
PROJ. ENG.			
PROJ. MGR.			
APPROVED			
APPROVED		ISSUED FOR	DATE

NOT TO SCALE
800-L-410
GRADING PLAN

DRAWN C A S	DATE MARCH 1985	DWG. NO. 2	REV. NO.
SCALE 1" = 50'	W.O. NO. 1356-22-01	SHT. OF	