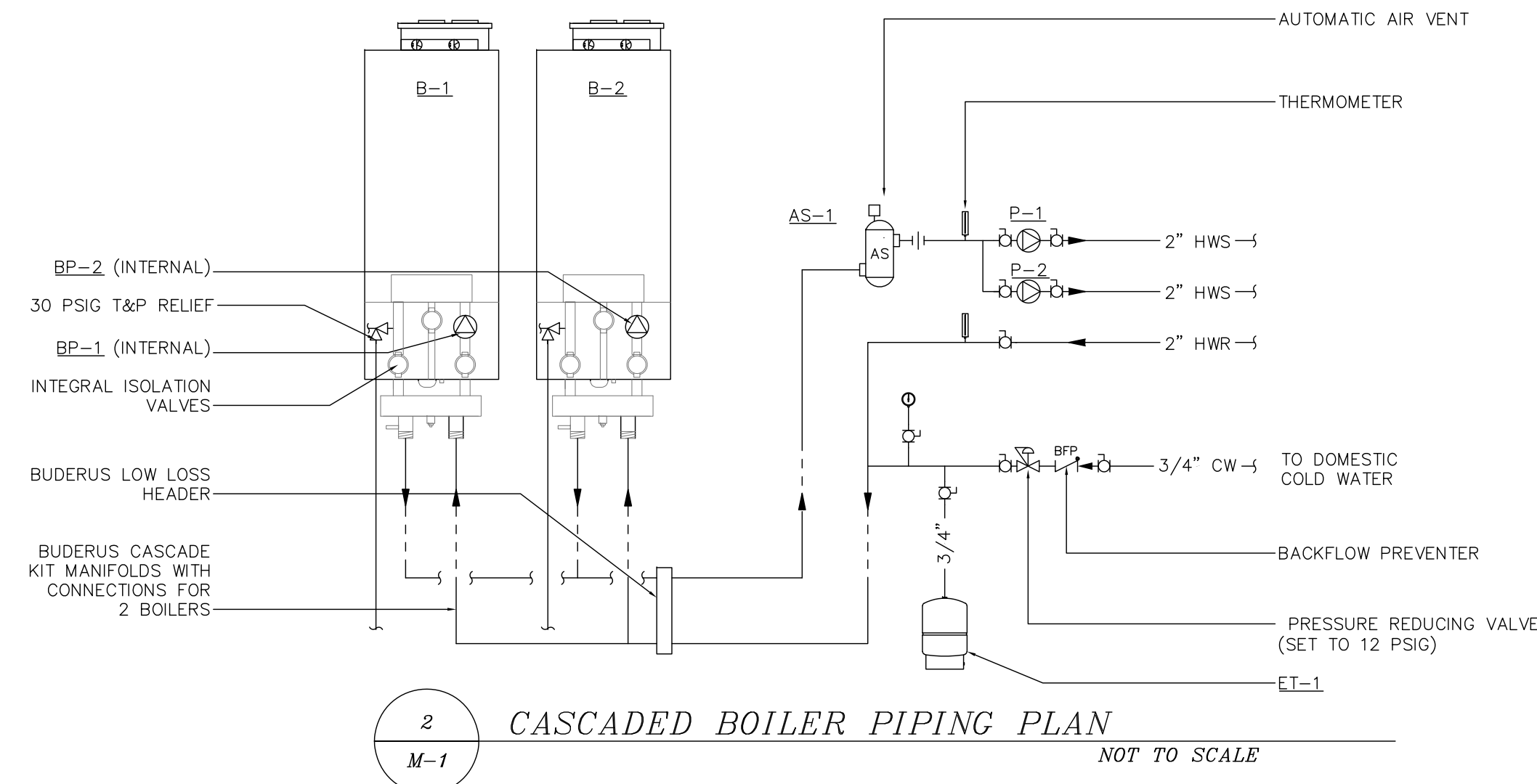


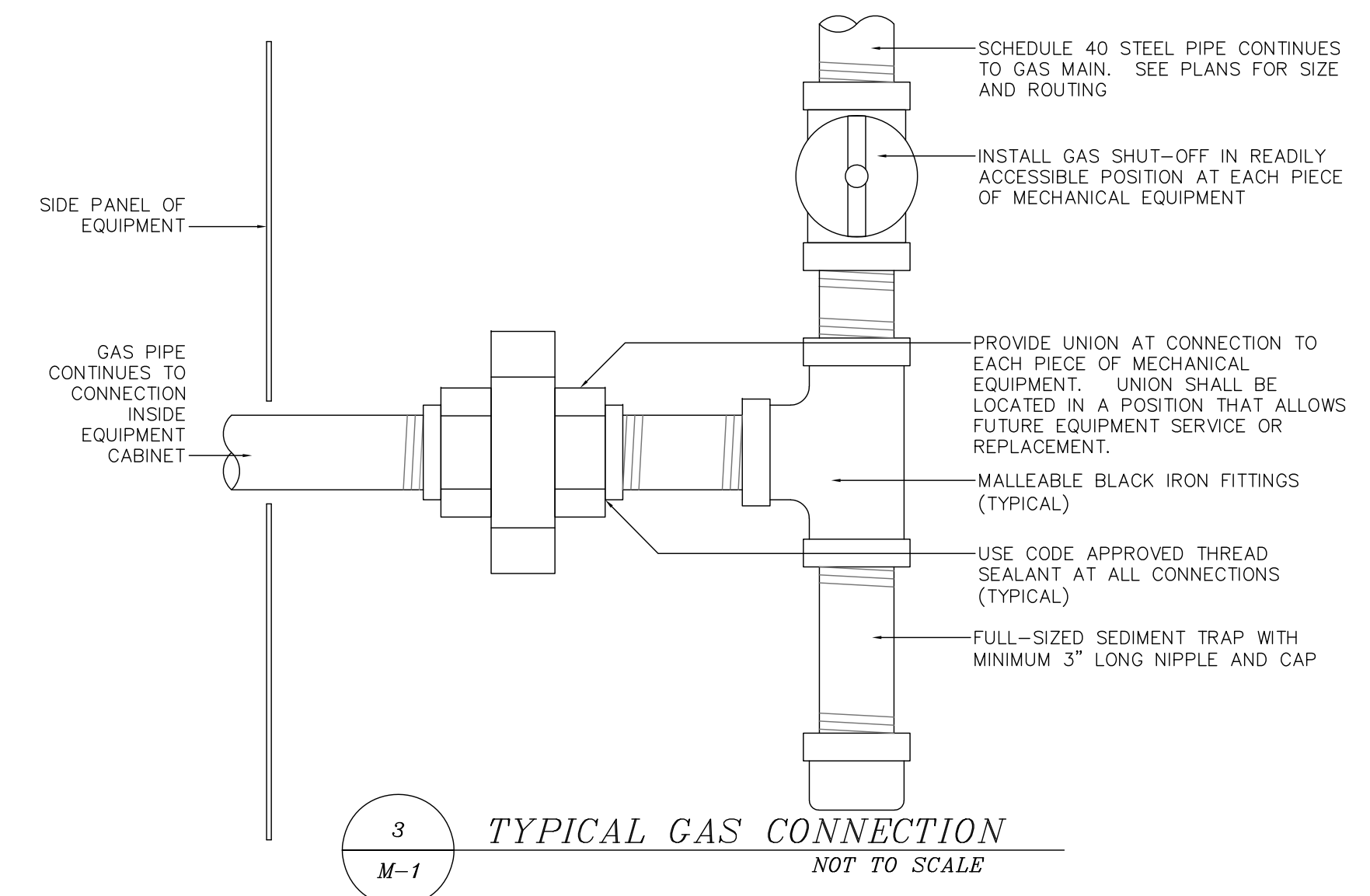
**PROJECT DESIGN CONDITIONS:**

SEASON	VALUE	UNITS	DESCRIPTION	SOURCE
ASHRAE WEATHER STATION: MANCHESTER, NEW HAMPSHIRE				
WINTER	-17.6	F	OA TEMP	ASHRAE EXTREME ANNUAL DESIGN CONDITIONS (50 YR)
	72.0	F	INDOOR TEMP	2015 IECC SECTION 302.1
SUMMER	91.1	F	OA DRY-BULB TEMP	2013 ASHRAE FUNDAMENTALS, CHAPTER 14, COOLING 0.4%
	71.9	F	OA WET-BULB TEMP	2013 ASHRAE FUNDAMENTALS, CHAPTER 14, COOLING 0.4%
	75.0	F	INDOOR TEMP	2015 IECC SECTION 302.1

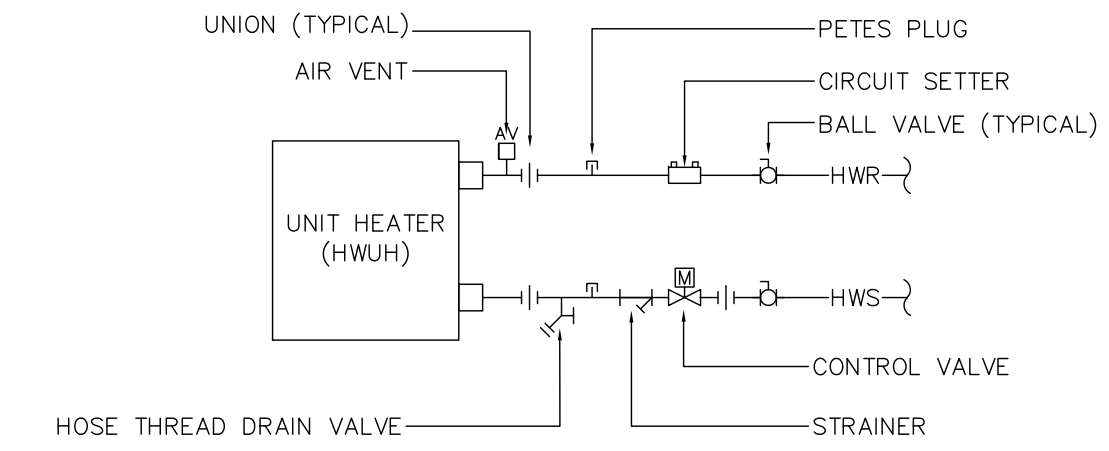
LP GAS LOAD ANALYSIS:  
CALCULATED PER NFPA 54  
GAS PRESSURE: 11" W.C.  
PRESSURE DROP: 0.5" W.C.  
TOTAL LOAD: 761 MBH  
LONGEST BRANCH: 85 FEET



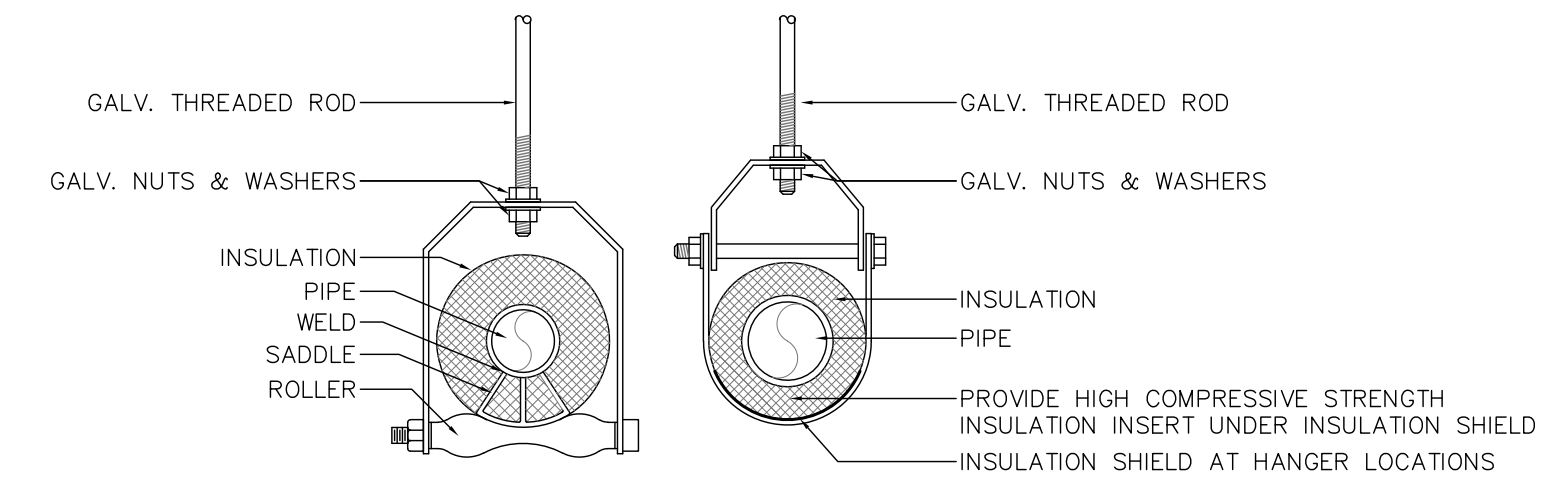
2 **CASCADED BOILER PIPING PLAN**  
M-1 NOT TO SCALE



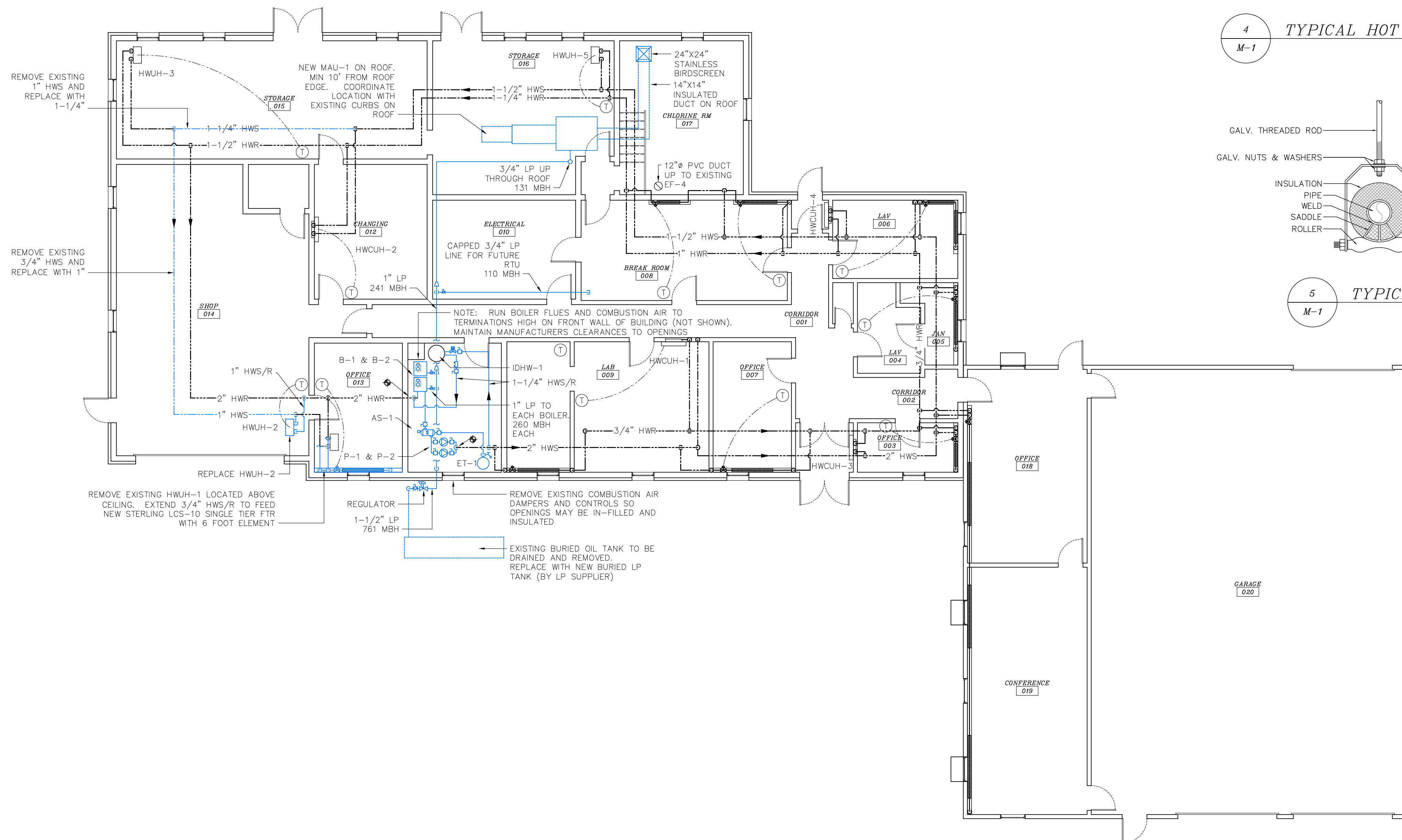
3 **TYPICAL GAS CONNECTION**  
M-1 NOT TO SCALE



4 **TYPICAL HOT WATER UNIT HEATER**  
M-1 NOT TO SCALE



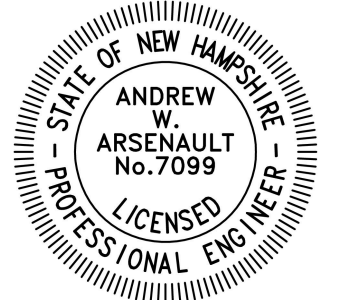
5 **TYPICAL PIPE HANGER DETAIL**  
M-1 NOT TO SCALE



1 **PROPOSED HVAC PLAN**  
M-1 1/8"=1'-0"



THE PROJECT MANAGER FOR THIS PROJECT IS NOTED BELOW. PLEASE REFER ALL QUESTIONS, SUBMITTALS AND CORRESPONDENCE TO THE PROJECT MANAGER.  
HVAC PROJECT MANAGER:  
DAVID C. MAGNUSON  
EMAIL: DAVEM@DESIGNDAYMECH.COM  
PHONE: (603) 463-1088  
ADDRESS: 65 OLD CENTER RD, DEERFIELD, NH 03037



PROJECT:  
DERRY  
WASTE WATER  
TREATMENT FACILITY  
TRANSFER LANE  
DERRY, NH

FOR:  
TOWN OF DERRY  
NEW HAMPSHIRE

REVISIONS:

DESIGNED BY: DCM  
DRAWN BY: DCM  
CHECKED BY: AWA  
DDM JOB #: 217  
SCALE: AS NOTED

DATE: 9/9/2021

M-1

MAKEUP AIR UNIT SCHEDULE (MAU)																		
MARK	SERVES	MAKE	MODEL	SUPPLY (CFM)	ESP (IN. WC)	HEATING						BHP	MHP	VOLT/PH	MCA	MOCP	FILTER	NOTES
						INPUT (MBH)	OUTPUT (MBH)	EFFICIENCY	FUEL	EAT	LAT							
MAU-1	CHLORINE RM	CAPTIVEAIRE	A1-1BT-150-15D	1,000	0.25	130.0	104.0	80	LP	-17.0	60.0	0.59	1	208/3	7.3	15.0	EZ	1

NOTES:  
1. SEE CAPTIVEAIRE DRAWINGS FOR ADDITIONAL INFORMATION

EXPANSION TANK SCHEDULE (ET)													
MARK	MAKE	MODEL	ACCEPTANCE (GALLONS)	VOLUME (GALLONS)	STYLE	SYSTEM VOLUME (GALLONS)	FILL VALVE (PSIG)	RELIEF VALVE (PSIG)	FILL TEMP (F)	MAX TEMP (F)	CALCULATED		NOTES
											EXPANSION (GALLONS)	VOLUME (GALLONS)	
ET-1	TACO	CX30-125	5	8	BLADDER	95	12	30	50	180	2.54	6.3	
ET-2	TACO	PAX25-150	4	6.6	BLADDER	80	50	75	50	140	1.15	4.1	

NOTES:  
1.

PUMP SCHEDULE (P)													
MARK	MAKE	MODEL	GPM	HEAD (FT)	FLUID	RPM	FLANGE SIZE (IN) INLET / OUTLET	ARRANGEMENT	WATTS	MHP	HP	VOLT/PH	NOTES
P-1&2	TACO	VR15M	40.0	25.0	WATER	VARIABLE	1.5	INLINE	480	.6		120/1	1
P-3	TACO	005	1.0	5.0	DHW	3250	0.5	INLINE			1/35	120/1	2

NOTES:  
1. SELF SENSING VARIABLE SPEED PUMP WITH EC MOTOR  
2. NSF CERTIFIED FOR POTABLE WATER

INDIRECT DOMESTIC WATER HEATER SCHEDULE (IDWH)													
MARK	MAKE	MODEL	DOMESTIC HOT WATER SIDE				MBH	BOILER SIDE				NOTES	
			GALLONS	EWT	TANK TEMP	FIRST HOUR RATING (GPH)		GPM	HEAD (FT)	FLUID	EWT / LWT		
IDWH-1	HTP	SSU-30N	30	50	140	121	84	8	6.0	WATER	180 / 159		

NOTES:  
1

FAN SCHEDULE (FAN)												
MARK	SERVES	MAKE	MODEL	CFM	ESP (IN. WC)	RPM	BHP	MHP	WATTS	VOLT/PH	NOTES	
EF-4	CHLORINE ROOM	GREENHECK	GB-14-4	1025	0.25	700	0.09	1/4	-	115/1	1	

NOTES:  
1 EXISTING FAN TO REMAIN. CLEAN, LUBRICATE, REPLACE BELT, AND RE-BALANCE

HOT WATER UNIT HEATER SCHEDULE (HWUH)													
MARK	MAKE	MODEL	MBH	CFM	EAT	LAT	GPM	EWT	LWT	WPD (FT)	MHP	VOLT/PH	NOTES
HWUH-2	MODINE	HC86	57	1340	60	98	6.3	180	161	1	1/8	120/1	2
HWUH-3	TRANE	UHS07058AAAF	40	1160	60	92	2.5	180	148	1	1/8	120/1	1
HWUH-5	TRANE		30	755	60	97	2.0	180	150	1	1/20	120/1	1

NOTES:  
1. EXISTING UNIT HEATER TO REMAIN  
2. NEW UNIT HEATER IN EXISTING LOCATION. PROVIDE NEW ZONE VALVE

BOILER SCHEDULE (B)												
MARK	MAKE	MODEL	INPUT (MBH)	OUTPUT (MBH)	EFFICIENCY	FUEL	VENTING STYLE	WATTS	MOCP	VOLT/PH	NOTES	
B-1&2	BUDERUS	GB162/80	260	226	92.1	LP	DIRECT	349	15	115/1	1,2	

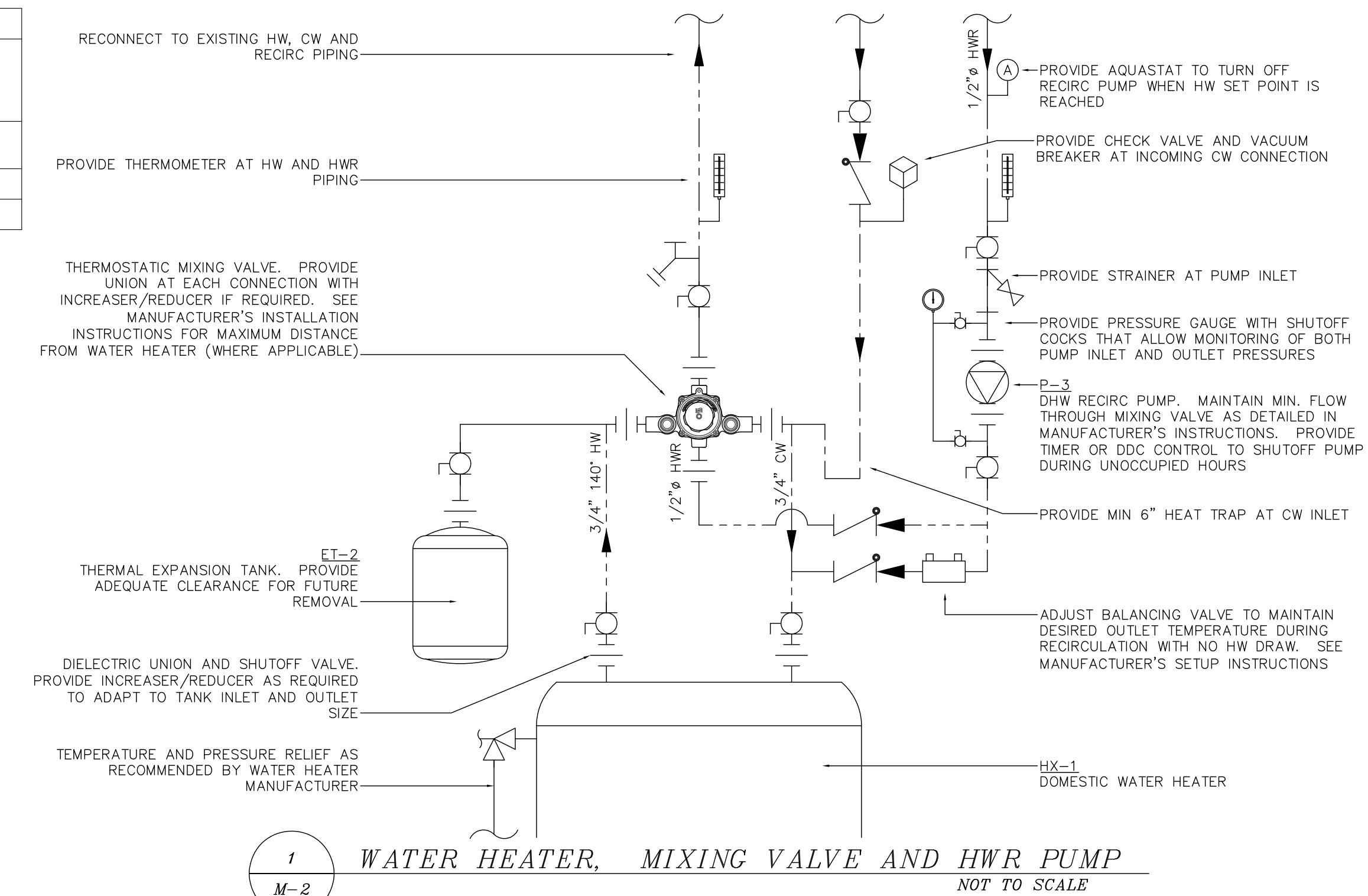
NOTES:  
1. LWCO, MFRG RECOMMENDED WATER TREATMENT, OUTDOOR TEMPERATURE RESET  
2. FACTORY TL2-160 CASCADE KIT WITH STAND, MANIFOLDS, LOW LOSS HEADERS AND FACTORY BOILER PUMPS

HOT WATER CABINET UNIT HEATER SCHEDULE (HWCUH)											
MARK	MAKE	MODEL	MBH	GPM	EWT	LWT	WPD (FT)	MHP	VOLT/PH	NOTES	
HWCUH-1 TO 4	TRANE	H46A002	15	1.0	180.0	150.0	1	1/20	120/1	1	

NOTES:  
1. EXISTING CABINET UNIT HEATER TO REMAIN

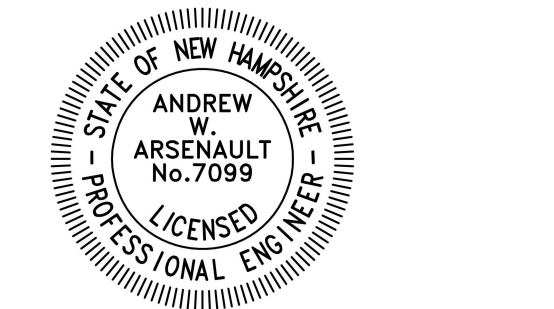
AIR SEPARATOR SEPARATOR (AS)						
MARK	MAKE	MODEL	PIPE SIZE	GPM	WPD (FT)	NOTES
AS-1	SPIROTHERM	VDT200	2	30	0.4	1

NOTES:  
1. COMBINATION AIR ELIMINATOR & DIRT SEPARATOR



THE PROJECT MANAGER FOR THIS PROJECT IS NOTED BELOW. PLEASE REFER ALL QUESTIONS, SUBMITTALS AND CORRESPONDENCE TO THE PROJECT MANAGER.

HYAC PROJECT MANAGER:  
DAVID C. MAGNUSON  
EMAIL: DAVEM@DESIGNDAYMECH.COM  
PHONE: (603) 463-1088  
ADDRESS: 65 OLD CENTER RD, DEERFIELD, NH 03037



PROJECT:  
DERRY  
WASTE WATER  
TREATMENT FACILITY  
TRANSFER LANE  
DERRY, NH

FOR:  
TOWN OF DERRY  
NEW HAMPSHIRE

SCHEDULES  
OF  
MECHANICAL  
EQUIPMENT

REVISIONS:

DESIGNED BY: DCM  
DRAWN BY: DCM  
CHECKED BY: AWA  
DCM JOB #: 217  
SCALE: AS NOTED

DATE: 9/9/2021

M-2

FOR QUESTIONS, CALL THE  
 VT / NH Mechanical  
 REGION 111  
 PHONE: (603) 505-4847  
 EMAIL: reg111@captiveaire.com

**MUA FAN INFORMATION - JOB#5042759**

FAN UNIT NO	TAG	QTY	FAN UNIT MODEL #	BLOWER	HOUSING	MIN CFM	DESIGN CFM	ESP	RPM	MOTOR ENCL	HP	BHP	PHASE	VOLT	FLA	MCA	MCCP	WEIGHT (LBS)	SONES
1	MAU-1	1	A1-1BT-150-15D	15MF-1-MDD	A1-1BT-150	800	1000	1.000	1513	DDP-PREMIUM	1.000	0.5960	3	208	3.1	7.3A	15A	1121	12.4

**GAS FIRED MAKE-UP AIR UNIT(S)**

FAN UNIT NO	TAG	INPUT BTUs	OUTPUT BTUs	TEMP RISE	REQUIRED INPUT GAS PRESSURE	GAS TYPE	BURNER EFFICIENCY(%)
1	MAU-1	130500	104400	82°F	7 IN. W.C. - 14 IN. W.C.	LP	80

**FAN OPTIONS**

FAN UNIT NO	TAG	QTY	DESCRIPTION
1	MAU-1	1	INLET PRESSURE GAUGE, 0-35".
		1	MANIFOLD PRESSURE GAUGE, 0 TO 10" W.C., 1 FURNACE.
		1	MOTORIZED BACKDRAFT DAMPER FOR A1-1 HOUSING. MEETS AMCA CLASS 1A RATING.
		1	FULL CRATING FOR COMMERCIAL HEATER.
		1	COMMERCIAL SMOKE DETECTOR/ALARM INTERLOCK (SUPPLIED BY OTHERS).
		1	CONTROL PANEL ENCLOSURE HEATER. RECOMMENDED FOR WINTER DESIGN TEMPERATURE LESS THAN 0°F. PCB CONTROLS.
		1	HEATED DRAIN SYSTEM FOR 1 FURNACE. DRAINS FLUE CONDENSATION FROM FURNACE. REQUIRED FOR WINTER DESIGN TEMP OF 0 DEGREES F OR LOWER.
		1	SINGLE POINT ELECTRICAL CONNECTION SINGLE MODULE. IF A NON-DCV PREWIRE IS USED ON THE 1BT HEATER, THE #28, #47, "NS", "MA", OR "E2" OPTION PREWIRE MUST BE SELECTED. DO NOT PROVIDE SUPPLY STARTER IN PREWIRE.
		1	OCCUPIED SCHEDULING.
		1	CASLINK BUILDING MONITORING SYSTEM - INTERNET OR CELLULAR CONNECTION REQUIRED.
		1	CLOGGED FILTER SWITCH WITH NOTIFICATION ON HMI.
		1	CURB DUCT HANGER.
		1	FREESTAT.
		1	INSULATED BLOWER SECTION SIZE 1-2 COMMERCIAL.
		1	VAV PACKAGE W/ MANUAL/DBC CONTROL (S71 VFD INCLUDED).
		1	VFD FACTORY MOUNTED AND WIRED IN COMMERCIAL CONTROL VESTIBULE FOR 1BT.
		1	2 YEAR ENTIRE UNIT PARTS WARRANTY, 25 YEAR STAINLESS STEEL FURNACE PARTS WARRANTY.

**FAN ACCESSORIES**

FAN UNIT NO	TAG	EXHAUST				SUPPLY			
		GREASE CUP	GRAVITY DAMPER	WALL MOUNT	SIDE DISCHARGE	GRAVITY DAMPER	MOTORIZED DAMPER	WALL MOUNT	
1	MAU-1						YES		

**CURB ASSEMBLIES**

NO	ON FAN	TAG	WEIGHT	ITEM	SIZE
1	# 1	LP OPTION	63 LBS	CURB	21.000"W X 121.188"L X 24.000"H ALONG WIDTH, RIGHT INSULATED.

**FAN SOUND DATA**

FAN UNIT NO	TAG	MOTOR	SOUND DATA			OCTAVE BAND SOUND DATA								
			LWA @ 5 FT	SONES @ 5 FT	DBA @ 5 FT	DISTANCE (FT)	63 HZ	125 HZ	250 HZ	500 HZ	1 KHZ	2 KHZ	4 KHZ	8 KHZ
1	MAU-1	SUPPLY	74.6	12.4	63.1	5	71.9	75.7	75.1	70.9	67.7	66.6	64.7	61.2

**SYSTEM DESIGN VERIFICATION (SDV)**

IF ORDERED, CAS SERVICE WILL PERFORM A SYSTEM DESIGN VERIFICATION (SDV) ONCE ALL EQUIPMENT HAS HAD A COMPLETE START UP PER THE OPERATION AND INSTALLATION MANUAL. TYPICALLY, THE SDV WILL BE PERFORMED AFTER ALL INSPECTIONS ARE COMPLETE.

ANY FIELD RELATED DISCREPANCIES THAT ARE DISCOVERED DURING THE SDV WILL BE BROUGHT TO THE ATTENTION OF THE GENERAL CONTRACTOR AND CORRESPONDING TRADES ON SITE. THESE ISSUES WILL BE DOCUMENTED AND FORWARDED TO THE APPROPRIATE SALES OFFICE. IF CAS SERVICE HAS TO RESOLVE A DISCREPANCY THAT IS A FIELD ISSUE, THE GENERAL CONTRACTOR WILL BE NOTIFIED AND BILLED FOR THE WORK. SHOULD A RETURN TRIP BE REQUIRED DUE TO ANY FIELD RELATED DISCREPANCY THAT CANNOT BE RESOLVED DURING THE SDV, THERE WILL BE ADDITIONAL TRIP CHARGES.

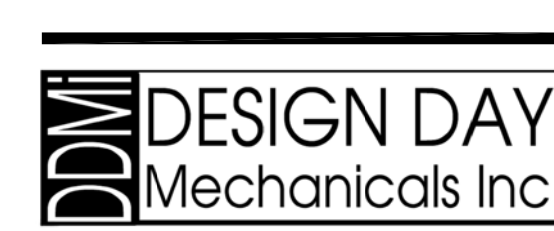
DURING THE SDV, CAS SERVICE WILL ADDRESS ANY DISCREPANCY THAT IS THE FAULT OF THE MANUFACTURER. SHOULD A RETURN TRIP BE REQUIRED, THE GENERAL CONTRACTOR AND APPROPRIATE SALES OFFICE WILL BE NOTIFIED. THERE WILL BE NO ADDITIONAL CHARGES FOR MANUFACTURER DISCREPANCIES.

REVISIONS	
DESCRIPTION	DATE

CAPTIVE  
 VT / NH Mechanical  
 www.captiveaire.com  
 9A Lafayette Road, Suite 6, North Hampton, NH, 03862 PHONE: (603) 505-4847 FAX: (603) 516-8711 EMAIL: reg111@captiveaire.com

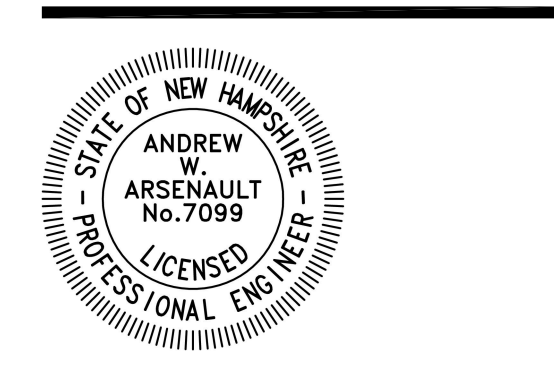
Derry Wastewater Plant r.1  
 EAST DERRY, NH, 03041

**DATE:** 9/8/2021  
**DWG.#:** 5042759  
**DRAWN BY:** KCD-111  
**SCALE:** 3/4" = 1'-0"  
**MASTER DRAWING**  
**SHEET NO.**  
 1



THE PROJECT MANAGER FOR THIS PROJECT IS NOTED BELOW. PLEASE REFER ALL QUESTIONS, SUBMITTALS AND CORRESPONDENCE TO THE PROJECT MANAGER.

HVAC PROJECT MANAGER:  
 DAVID C. MAGNUSON  
 EMAIL: DAVEM@DESIGNDAYMECH.COM  
 PHONE: (603) 483-1088  
 ADDRESS: 65 OLD CENTER RD, DEERFIELD, NH 03037



**PROJECT:**  
 DERRY  
 WASTE WATER  
 TREATMENT FACILITY  
 TRANSFER LANE  
 DERRY, NH

**FOR:**  
 TOWN OF DERRY  
 NEW HAMPSHIRE

CAPTIVEAIRE DRAWINGS

REVISIONS

**DESIGNED BY:** DCM  
**DRAWN BY:** DCM  
**CHECKED BY:** AWA  
**DDM JOB #:** 217  
**SCALE:** AS NOTED

DATE: 9/9/2021

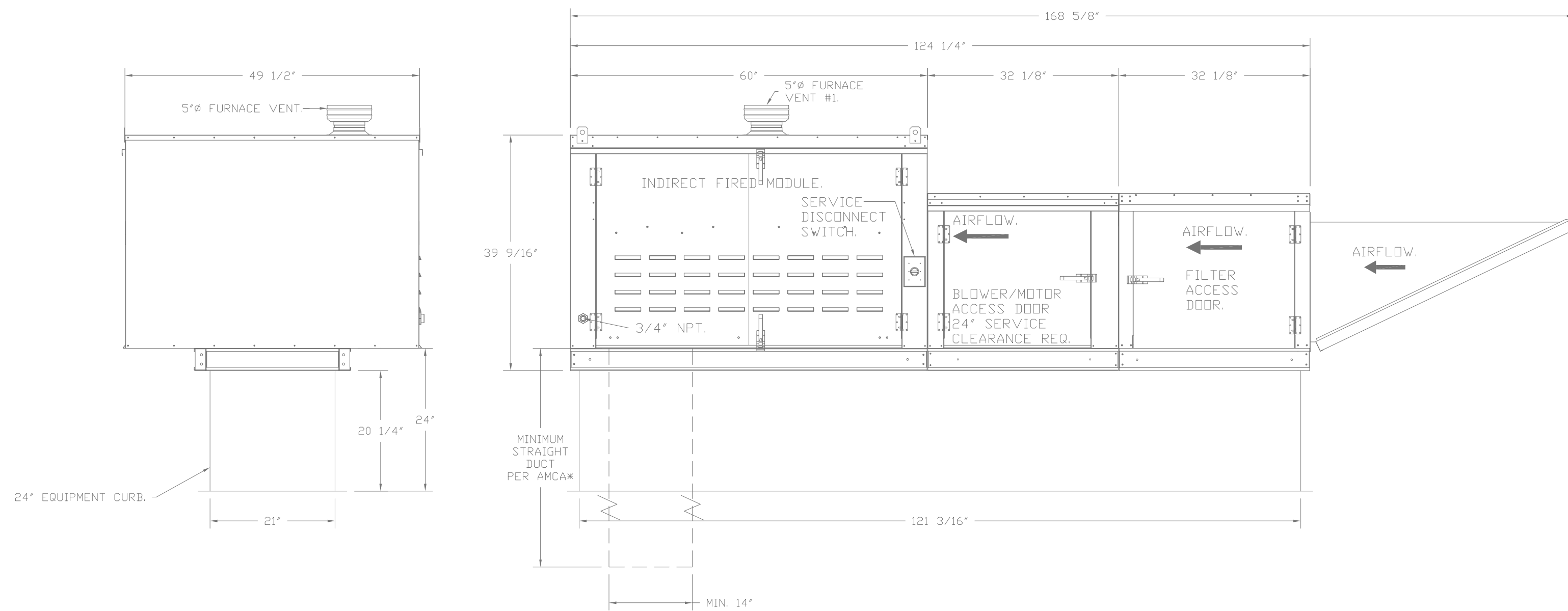
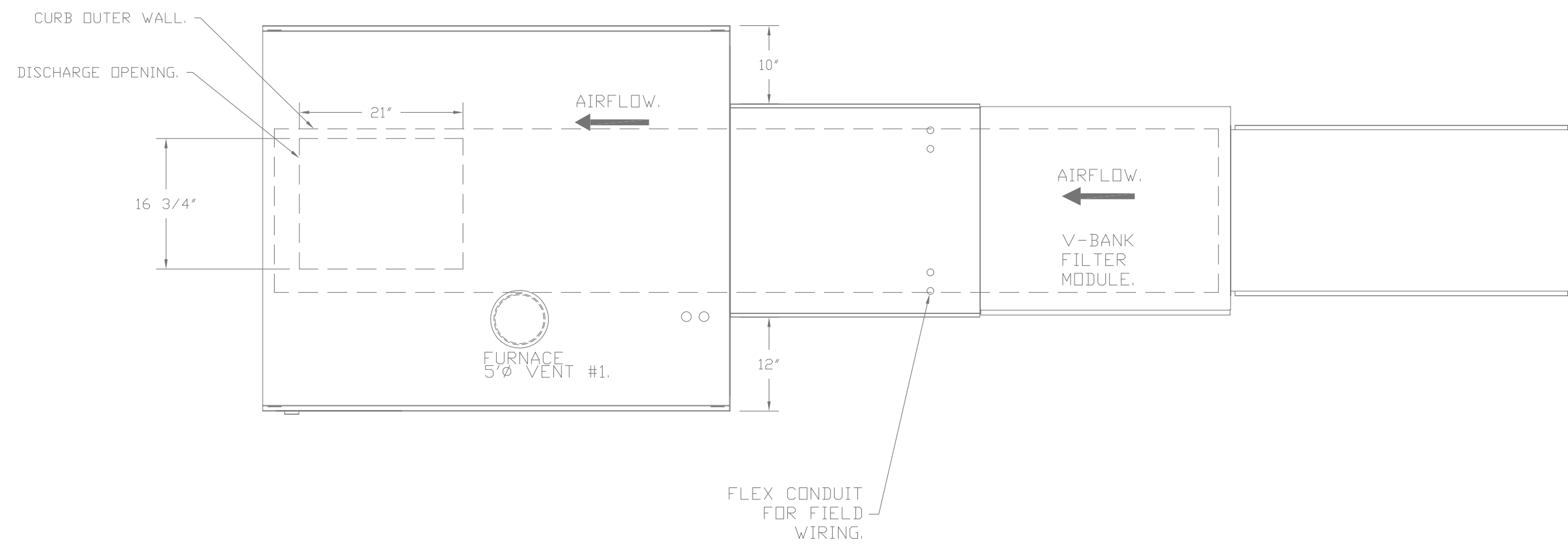
M-3

- FAN #1 (MAU-1) - HEATER (MAU-1)
- INDIRECT BENT TUBE GAS FIRED HEATER WITH 15° MIXED FLOW DIRECT DRIVE FAN, 1 FURNACE, ELECTRONIC FULL MODULATION, CONSTANT 80% EFFICIENCY, AND 6:1 MAX TURNDOWN FOR NG, 6:1 MAX TURNDOWN FOR LP. STAINLESS STEEL BURNER AND HEAT EXCHANGER.
  - V-BANK TA FILTERS W/INTAKE HOOD WITH EZ FILTERS - OUTDOOR.
  - DRAIN DISCHARGE - AIR FLOW RIGHT -> LEFT.
  - GAS PRESSURE GAUGE, 0-35", 2.5" DIAMETER, 1/4" THREAD SIZE.
  - GAS PRESSURE GAUGE, 0 TO +10 INCHES WC, 2.5" DIAMETER, 1/8" THREAD SIZE, REAR THREAD.
  - MOTORIZED BACK BRATT DAMPER 16" X 18" FOR SIZE 1 STANDARD & MODULAR HEATER UNITS W/EXTENDED SHAFT, STANDARD GALVANIZED CONSTRUCTION, 3/4" REAR FLANGE, LOW LEAKAGE, TFBIDS ACTUATOR INCLUDED.
  - FULL CRATING FOR COMMERCIAL HEATERS FOR SHIPPING.
  - COMMERCIAL SMOKE DETECTOR INTERLOCK (DETECTOR BY OTHERS).
  - CONTROL PANEL ENCLOSURE HEATER, INCLUDES 200W, 120V HEATER. RECOMMENDED FOR WINTER DESIGN TEMPERATURE LESS THAN 0°F. OPERATES ON PCB CONTROLS IN IBT SINGLE MODULES OR RTU.
  - FACTORY ASSEMBLED IBT CONDENSATION DRAIN KIT FOR 1 FURNACE UNITS. REQUIRED FOR WINTER DESIGN TEMP OF 0 DEGREES F AND LOWER.
  - KIT INCLUDES DRAIN ASSEMBLY, MOUNTING SCREWS, ZIP TIES, AND HEAT TAPE FOR SINGLE FURNACE UNIT. FIELD PIPING FROM UNIT BY OTHERS.
  - SINGLE POINT ELECTRICAL CONNECTION FOR ALL IBT HEATERS WITH 1 MODULE. ONLY 1 750VA TRANSFORMER USED. IF A NON-DCV PREWIRE IS USED ON THE IBT HEATER, THE #28, #47, #A, OR #E2 OPTION PREWIRE MUST BE SELECTED. DO NOT PROVIDE SUPPLY STARTER IN PREWIRE.
  - OCCUPIED SCHEDULING DEFAULTED FOR IBT/RTU.
  - CASLINK BUILDING MONITORING SYSTEM COMMUNICATIONS MODULE. REQUIRES INTERNET & FIELD WIRED ETHERNET CONNECTION OR 3G CELLULAR SERVICE. INCLUDES REV 3 COMM MODULE, RJ45 TO MODBUS CONVERTER, 3 FT CAT5 CABLE, AND 1 FT OF SHIELDED TWISTED PAIR.
  - CLOGGED FILTER SWITCH WITH NOTIFICATION ON HMI.
  - CURB DUCT HANGER - 1-1/4" ANGLE IRON FRAME WELDED TO CURB TO SUPPORT STANDARD SIZE DUCTWORK. PRICED PER CURB. ONLY AVAILABLE WHEN CURB ASSEMBLY IS ORDERED.
  - FREEZE/STAT FACTORY SET AT 35°F AND 10 MINUTES.
  - INSULATED BLOWER HOUSING SIZES 1-2 COMMERCIAL MODULAR.
  - VAV (VARIABLE-AIR-VOLUMES) WIRING PACKAGE FOR COMMERCIAL FANS.
  - MANUAL SPEED CONTROL VARIABLE FREQUENCY DRIVE INCLUDED.
  - VFD FACTORY MOUNTED AND WIRED IN UNIT CONTROL VESTIBULE.
  - HINGED DOUBLE WALL INSULATED DOOR ASSEMBLY (BURNER/BLOWER SECTION).
  - 2 YEAR ENTIRE UNIT PARTS WARRANTY, 25 YEAR STAINLESS STEEL FURNACE PARTS WARRANTY.
  - IBT - US PATENT 877119 B2.

\*NOTE: SUPPLY DUCT MUST BE INSTALLED TO MEET SMACNA STANDARDS. A MINIMUM STRAIGHT DUCT LENGTH MUST BE MAINTAINED DOWNSTREAM OF UNIT DISCHARGE AS OUTLINED IN AMCA PUBLICATION 201. WHEN USING RECTANGULAR DUCTWORK, ELBOWS MUST BE RADIUS THROAT, RADIUS BACK WITH TURNING VANES. FLEXIBLE DUCTWORK AND SQUARE THROAT/SQUARE BACK ELBOWS SHOULD NOT BE USED. ANY TRANSITION AND/OR TURNS IN THE DUCTWORK WILL CAUSE SYSTEM EFFECT. SYSTEM EFFECT WILL DRASTICALLY INCREASE STATIC PRESSURE AND REDUCE AIRFLOW. DO NOT RELY ON UNIT TO SUPPORT DUCT IN ANY WAY. FAILURE TO PROPERLY SIZE DUCTWORK MAY CAUSE SYSTEM EFFECTS AND REDUCE PERFORMANCE OF THE EQUIPMENT. SUGGESTED STRAIGHT DUCT SIZE IS 14" X 14".

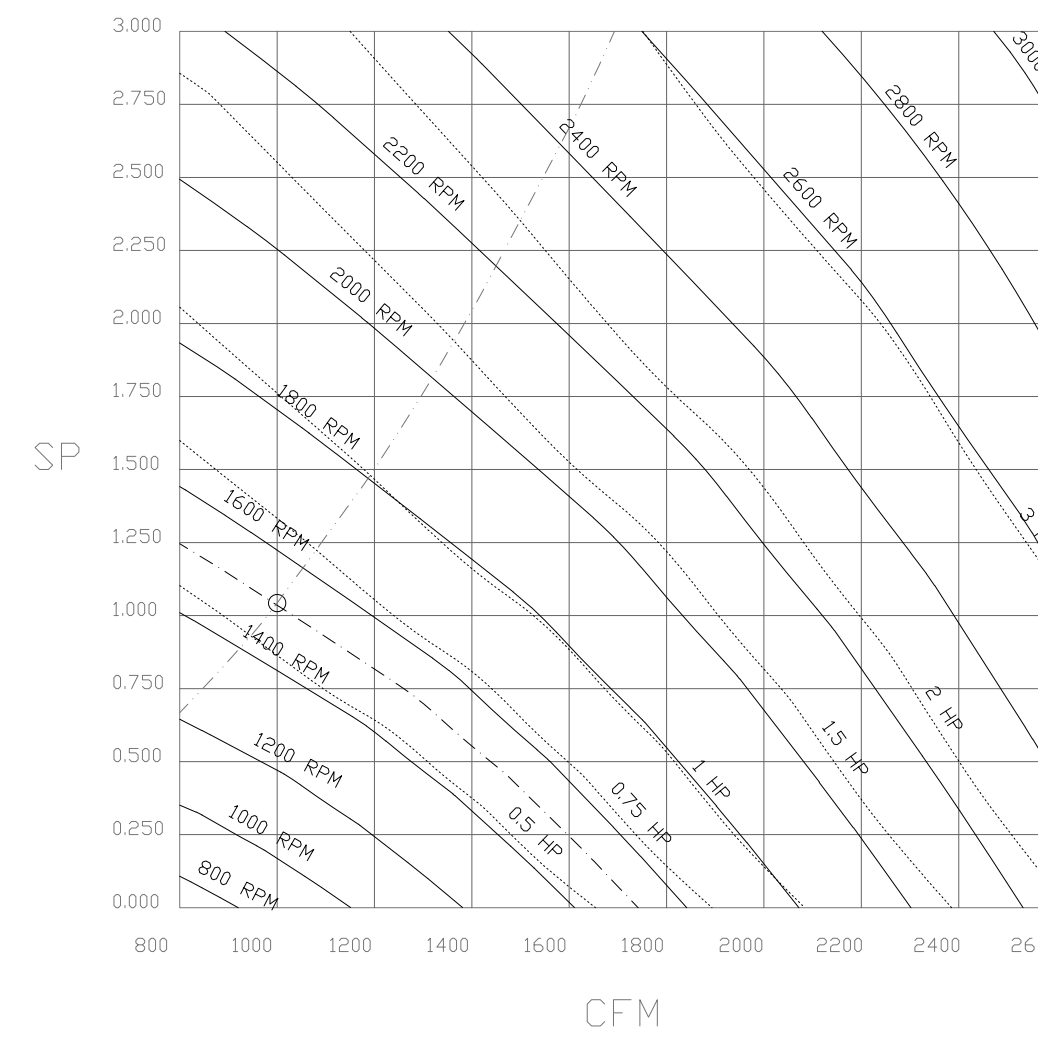
SUPPLY SIDE HEATER INFORMATION

WINTER TEMPERATURE = -17°F. TEMP. RISE = 82°F.  
 BTUS CALCULATED OFF ACTUAL AIR DENSITY  
 OUTPUT BTUS AT ALTITUDE OF 0.0 FT. = 105811.  
 INPUT BTUS AT ALTITUDE OF 0.0 FT. = 132263.  
 OUTPUT BTUS AT ALTITUDE OF 371 FT. = 104400.  
 INPUT BTUS AT ALTITUDE OF 371 FT. = 130500.



FAN#1 (MAU-1) - HEATER PERFORMANCE CURVES.

1000 CFM, 1.043 SP @ 1513 RPM AND 0.596 BHP AT 371 FEET AND -17 DEG F.  
 \* PLEASE NOTE THAT THESE CURVES WERE ADJUSTED FOR JOB SPECIFIC TEMPERATURE AND ALTITUDE.



REVISIONS	
DESCRIPTION	DATE

**CAPTIVE**  
 VT / NH Mechanical  
 9A Lafayette Road, Suite 6, North Hampton, NH, 03862 PHONE: (603) 505-4847 FAX: (919) 516-8711 EMAIL: reg11@captiveaire.com  
 www.captiveaire.com

Derry Wastewater Plant r.1  
 EAST DERRY, NH, 03041

DATE: 9/8/2021  
 DWG.#: 5042759  
 DRAWN BY: KCD-111  
 SCALE: 3/4" = 1'-0"  
 MASTER DRAWING

SHEET NO. 2



THE PROJECT MANAGER FOR THIS PROJECT IS NOTED BELOW. PLEASE REFER ALL QUESTIONS, SUBMITTALS AND CORRESPONDENCE TO THE PROJECT MANAGER.

HYAC PROJECT MANAGER:  
 DAVID C. MAGNUSON  
 EMAIL: DAVEM@DESIGNDAYMECH.COM  
 PHONE: (603) 483-1088  
 ADDRESS: 65 OLD CENTER RD, DEERFIELD, NH 03037



PROJECT:  
 DERRY WASTE WATER TREATMENT FACILITY  
 DERRY, NH

FOR:  
 TOWN OF DERRY  
 NEW HAMPSHIRE

CAPTIVEAIRE DRAWINGS

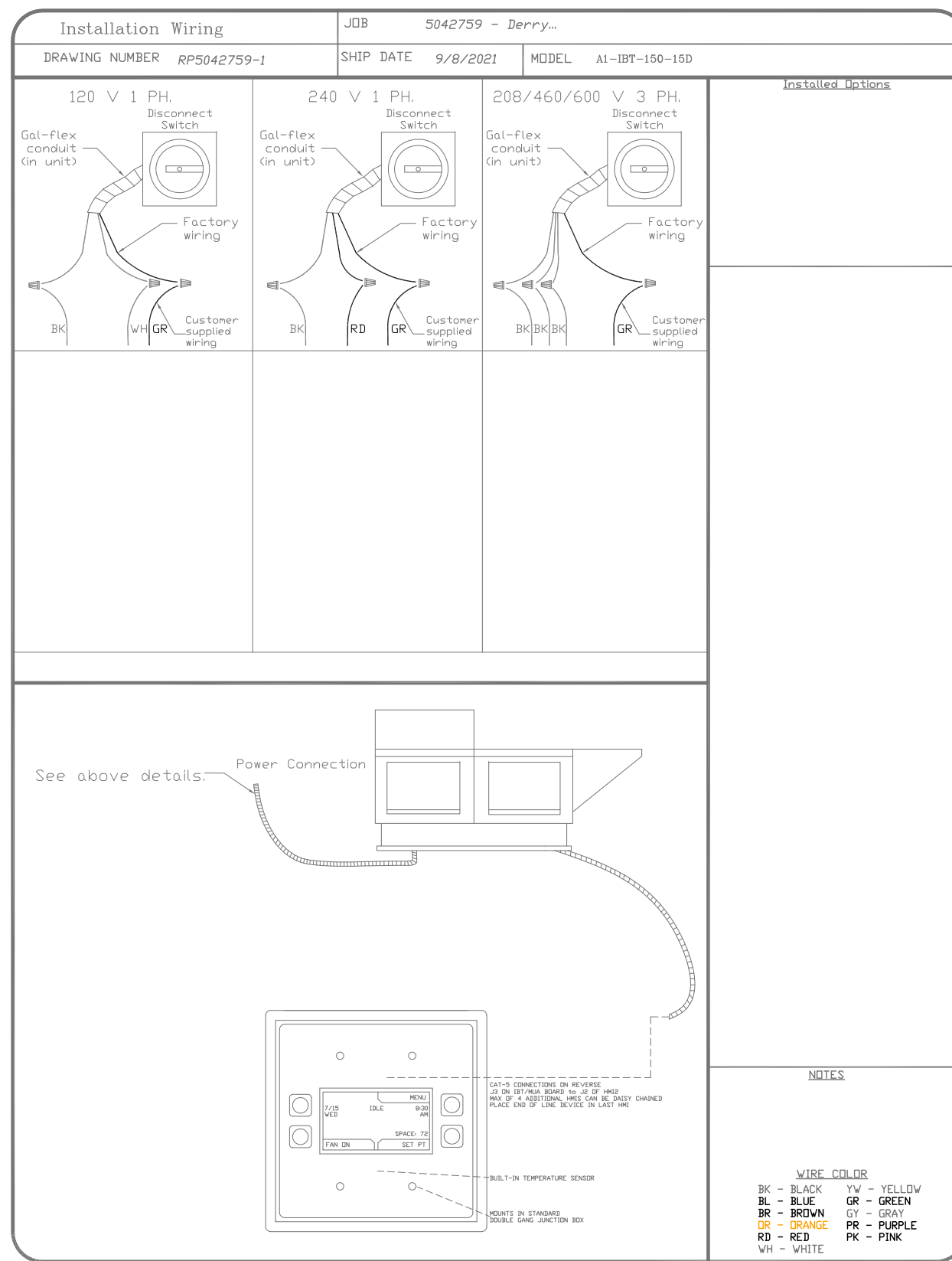
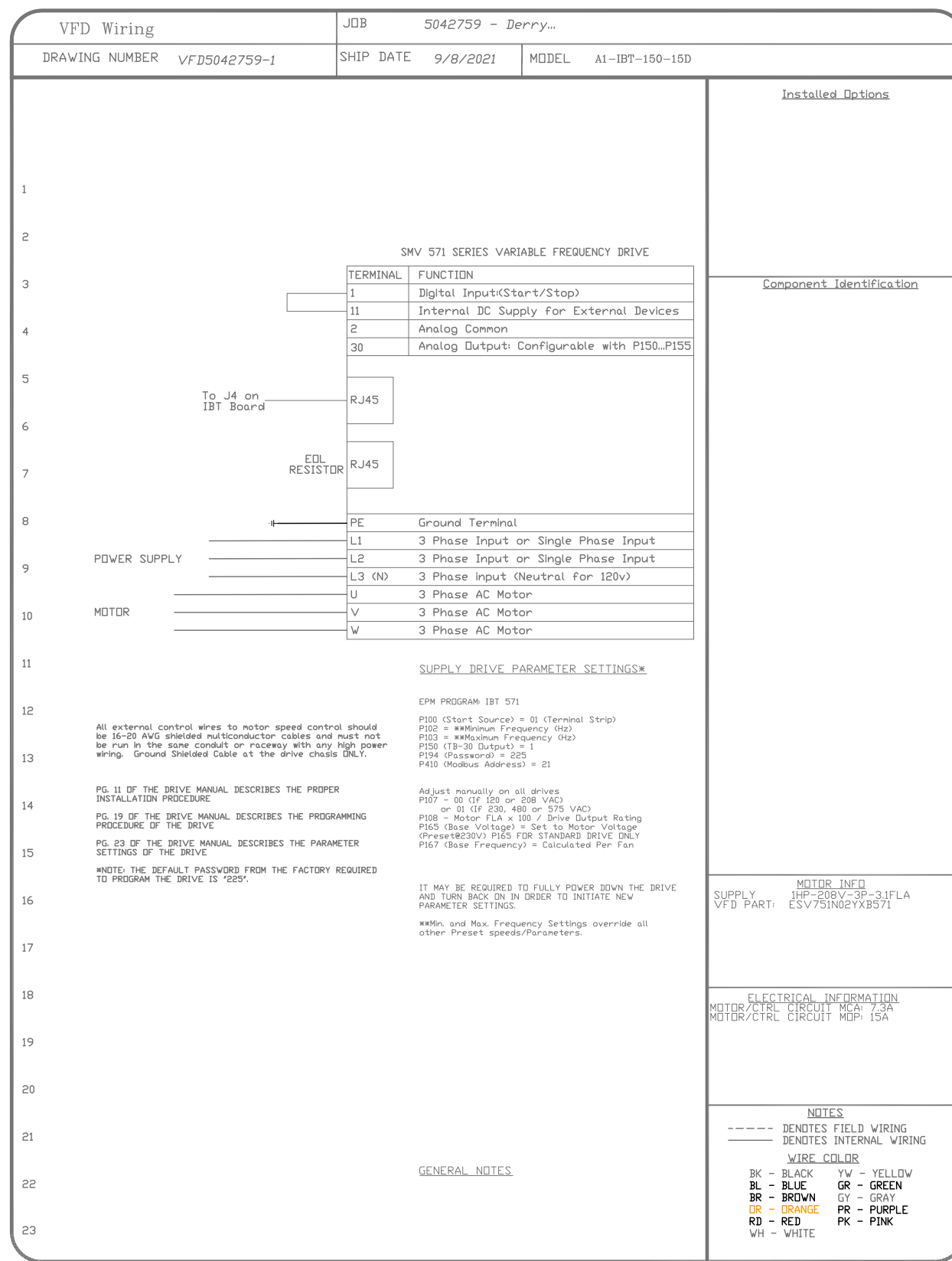
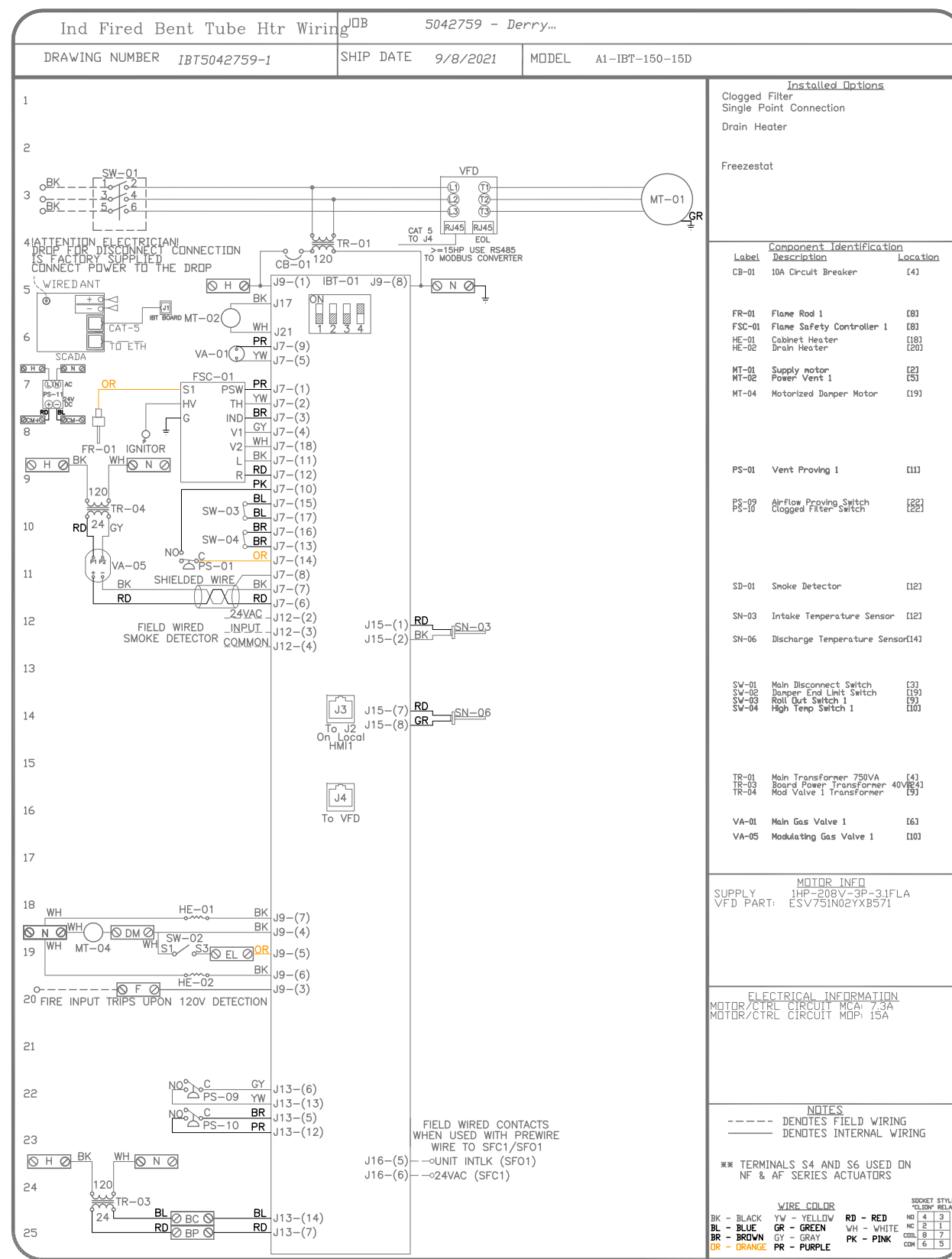
REVISIONS

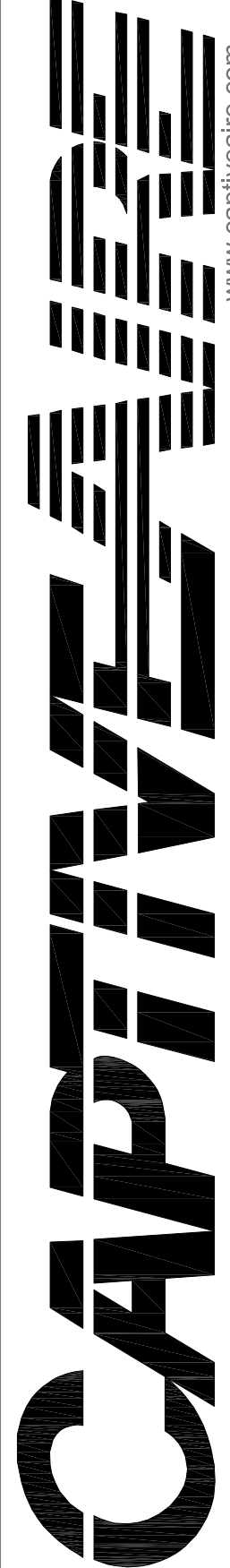
DESIGNED BY: DCM  
 DRAWN BY: DCM  
 CHECKED BY: AWA

DDM JOB #: 217  
 SCALE: AS NOTED

DATE: 9/9/2021

M-4





Derry Wastewater Plant r.1  
EAST DERRY, NH, 03041

DATE: 9/8/2021

DWG.#: 5042759

DRAWN BY: KCD-111

SCALE: 3/4" = 1'-0"

MASTER DRAWING

SHEET NO. 3

REVISIONS

DESCRIPTION	DATE

DESIGNED BY: DCM  
DRAWN BY: DCM  
CHECKED BY: AWA

DDM JOB #: 217  
SCALE: AS NOTED

DATE: 9/9/2021

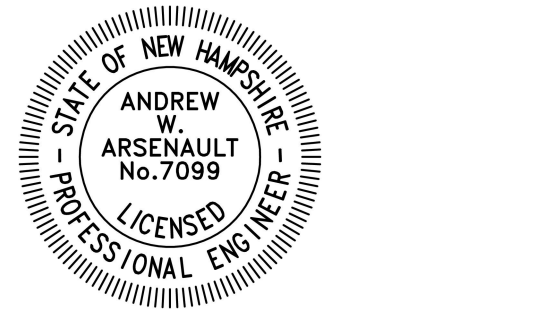
M-5

SHEET 5 OF 6



THE PROJECT MANAGER FOR THIS PROJECT IS NOTED BELOW. PLEASE REFER ALL QUESTIONS, SUBMITTALS AND CORRESPONDENCE TO THE PROJECT MANAGER.

HYAC PROJECT MANAGER:  
DAVID C. MAGNUSON  
EMAIL: DAVEM@DESIGNDAYMECH.COM  
PHONE: (603) 463-1088  
ADDRESS: 65 OLD CENTER RD, DEERFIELD, NH 03037



PROJECT:  
DERRY WASTE WATER TREATMENT FACILITY TRANSFER LANE DERRY, NH

FOR:  
TOWN OF DERRY NEW HAMPSHIRE

REVISIONS

DESIGNED BY: DCM  
DRAWN BY: DCM  
CHECKED BY: AWA

DDM JOB #: 217  
SCALE: AS NOTED

DATE: 9/9/2021

M-5

SHEET 5 OF 6

